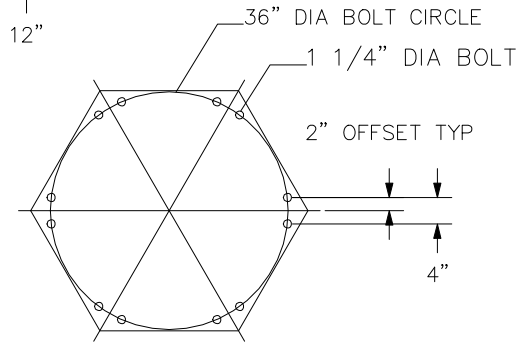


2.000 TON
S12 @ 31.8 #/FT

8'-0" H.U.B.

REINFORCING RODS:
5/8"Ø ON TOP, 3/4"Ø ON BOTTOM,
LOCATED 12" ON CENTER



12 BOLT
BASE BOLT PATTERN
1 1/4" BASE PLATE THICKNESS AT ANCHOR BOLT
VIEW A-A
NOT TO SCALE

CREATED BY: HOOSIER CRANE SERVICE

CONFIDENTIAL

GORBEL

600 FISHERS RUN
P.O. BOX 593
FISHERS, NY 14453-0593

MODEL NO.: FS300-16-12

CAPACITY: 2.000 TON
SPAN: 12'-0"
H.U.B.: 8'-0"

QUANTITY: 1
SHIPPING WT.: 2139 LBS

DRAWN: lauyod DATE: DEC 26, 2014

C.O.#: test P/N: test.1A

- NOTES:
- 1) JIB CRANE FOUNDATION REQUIREMENTS ARE BASED ON A SOIL PRESSURE OF 2500 LBS PER SQUARE FOOT. CONCRETE RECOMMENDED FOR JIB CRANE FOUNDATION IS 3000 LBS PER SQUARE INCH OF COMPRESSIVE FORCE.
 - 2) DO NOT SCALE FROM THIS DRAWING.
 - 3) OVERALL HEIGHT = 9'-0"